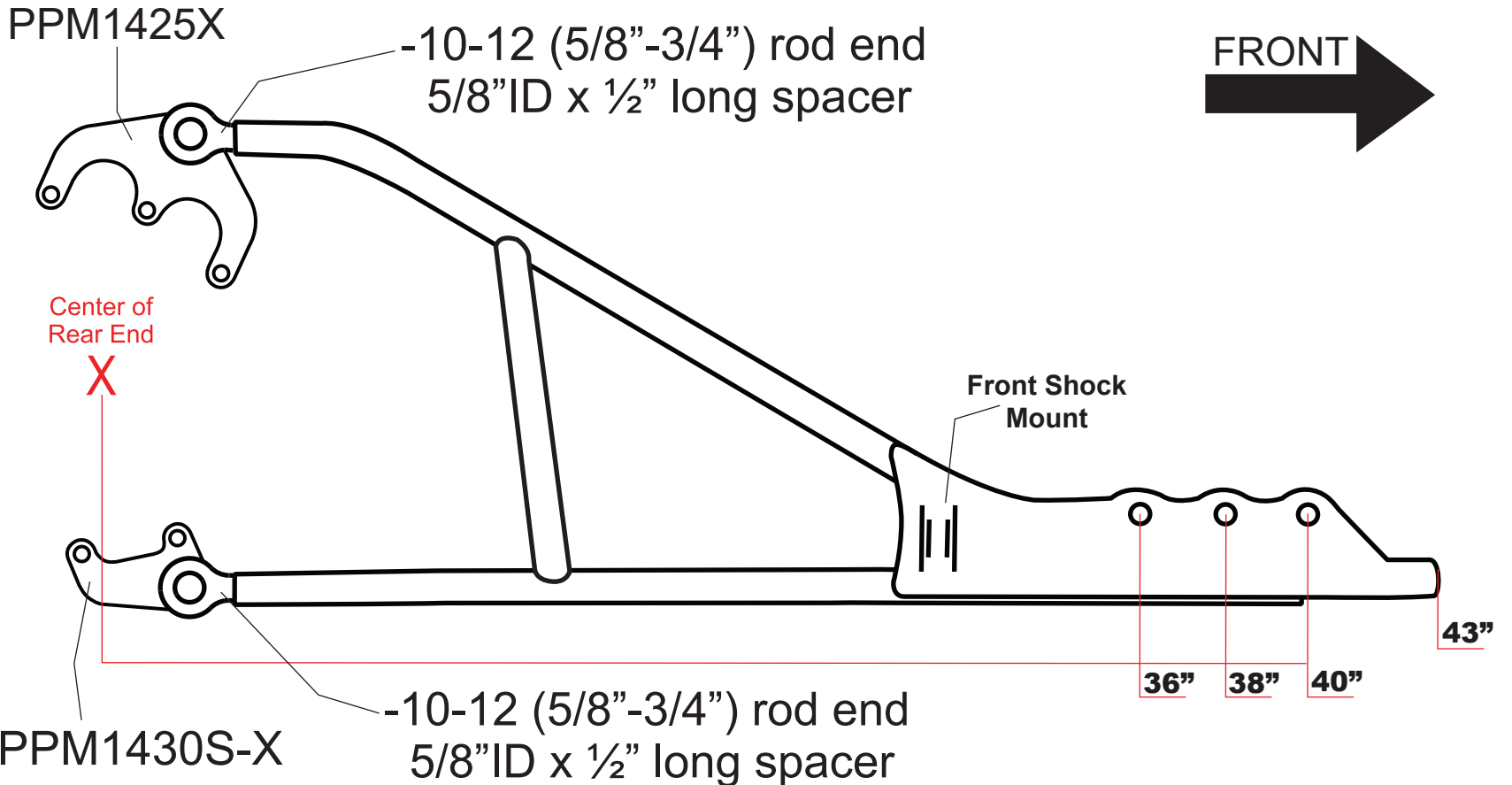


Part No. PPM8400K

Rocket XR1 Liftbar Installation Instructions



Rod Ends should be adjusted approximately 1-1/2\" from center of hole to end of lift bar

- 1) PPM8400 - Liftbar
- 2) CMR10-12 - Chromoly Rod Ends
- 2) JNR12 - 3/4\" - 16 Jam Nut Sets
- 2) 58500 - 1/2\" x 5/8\" Steel Bushing Sets
- 2) PPM1430S-X - Aluminum Rear End Plate
- 2) PPM1425X - Aluminum Rear End Plate
- 1) 1/2\" - 13 x 2 3/4\" Hex Screw
- 1) 1/2\" - 13 Full Nylon Jam Nuts

- 1) 12500 - 1/2\" x 1/2\" Bushing
- 2) 1440 - Crosstube (3/8\" ID)
- 2) 5/8\" - 18 x 7 1/2\" Hex Screw
- 4) 5/8\" SAE Flat Washer
- 2) 5/8\" Nylon Lock Nut

* Front & Rear Mount is Optional
PPM8526-K - PPM8527-K



Technical Questions? Call 1-865-354-9669