

Custom Spindle Order Form



Date:

Ordered By

Contact Name:

Address:

State/Province:

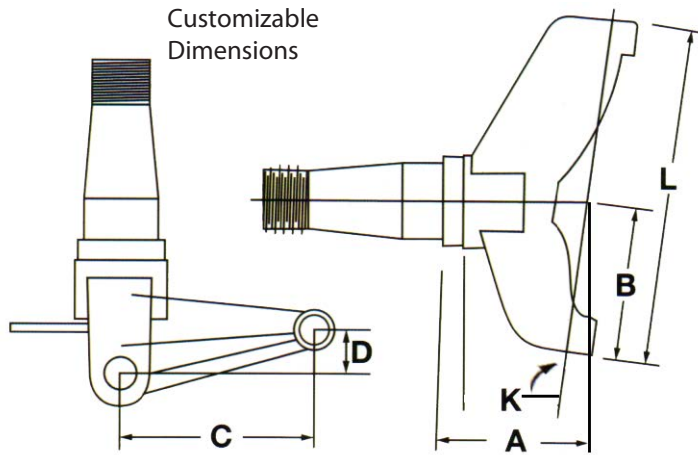
Zip/Postal Code:

Phone:

Email:

Company:

PPM Racing Products
 201 S. Wilder Ave.
 Rockwood, TN
 37854
 Phone: 865-354-9669
 ppmracingproducts.com



Notes or Special Considerations

Dimension	Measurement	Cope or Bend °
C		
D		
A		
K (in °)		
B		
L		

Brake Mount Options

- 3.5 Brake
- 5.25 Brake

- .810 Rotor
- 1.25 Rotor

- Front (unchecked = Back)
- Right Side
- Left Side

Submit by E-mail

Order Completed:	
Ship Date:	