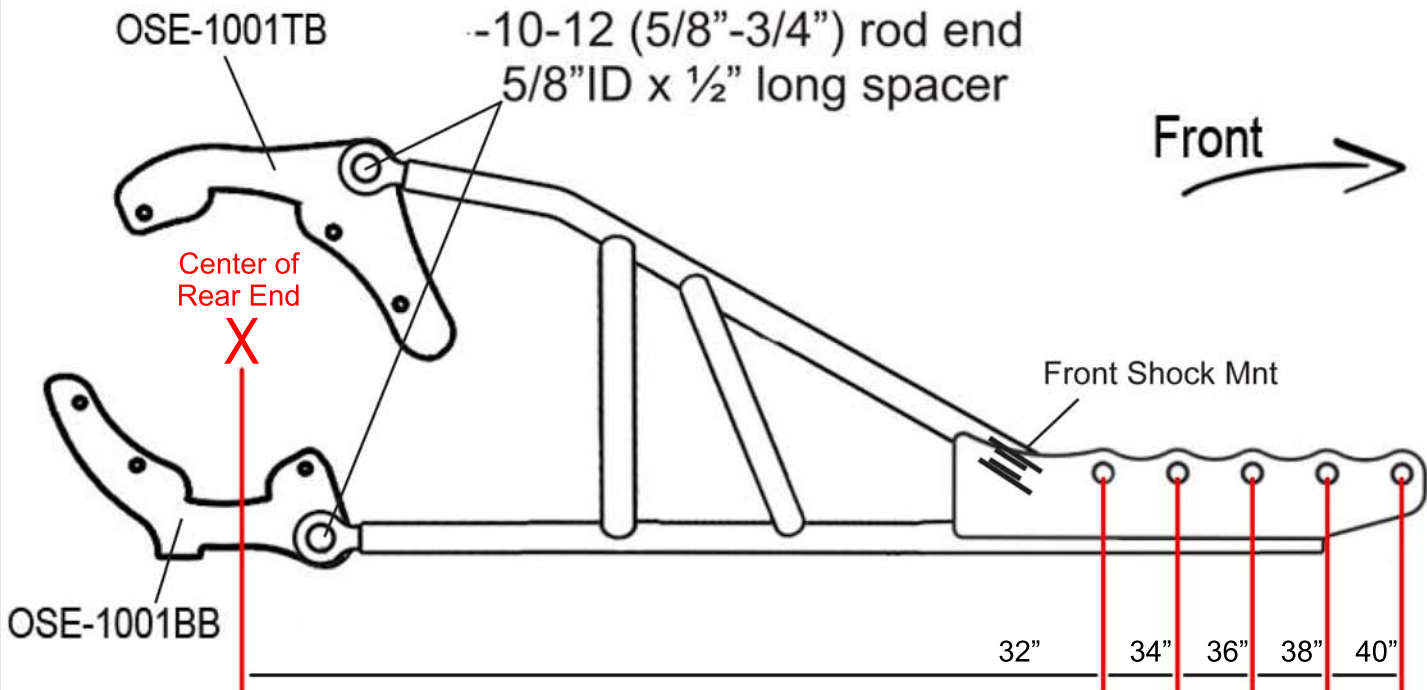


LONGHORN



Part No.  
PPM8900K

## Steel Liftbar Installation Instructions



**Rod Ends should be adjusted approximately 1-1/2" from center of hole to end of lift bar**

- (1) ppm8900 – Liftbar
- (2) CMR10-12 – chromoly rod ends
- (2) JNR12 – 3/4"-16 jam nut sets
- (4) 58500 – 1/2" x 5/8" Steel bushing sets
- (2) OSE – 1001BB aluminum rear end plate
- (2) OSE – 1001TB aluminum rear end plate
- (1) 1/2" – 13 x 2" Hex screw
- (1) 1/2" – 13 Lock Nut

- (1) 12500 – 1/2" x 1/2" bushing
- (2) 1440 – Crosstube
- (2) 5/8" – 18 x 8" Hex screw
- (4) 5/8" SAE Flat washer
- (2) 5/8" – 18 nylon lock nut

\*Front mount is optional

**TECHNICAL QUESTIONS CALL 1-865-354-9669**